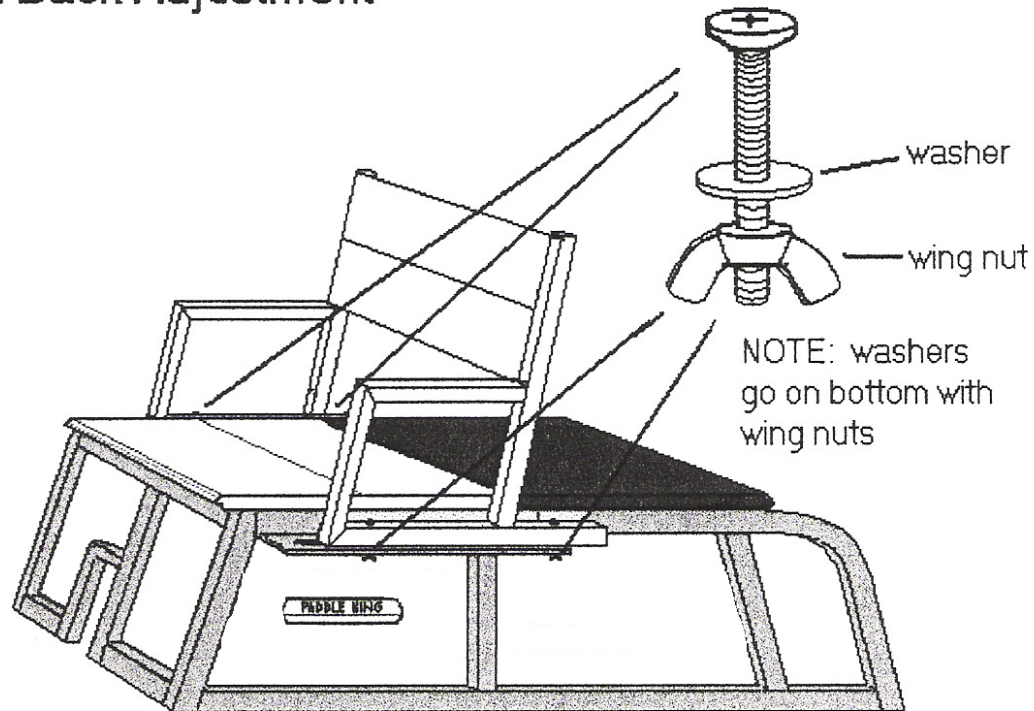


Seat Back Adjustment



1. Loosen all four wing nuts, two on each side of seatback.
2. Once all the wing nuts are loose, adjust seatback by sliding either forward or back.
3. After adjusting, tighten wing nuts.